

# TABLERO / MOBILE BOARD

SILLA EDUCATIVAS Y COMPLEMENTOS | EDUCATIONAL CHAIRS AND ACCESSORIES



## Variaciones / Variations

Acabados: ver matriz de acabados / Line finishes

## Características / Specifications

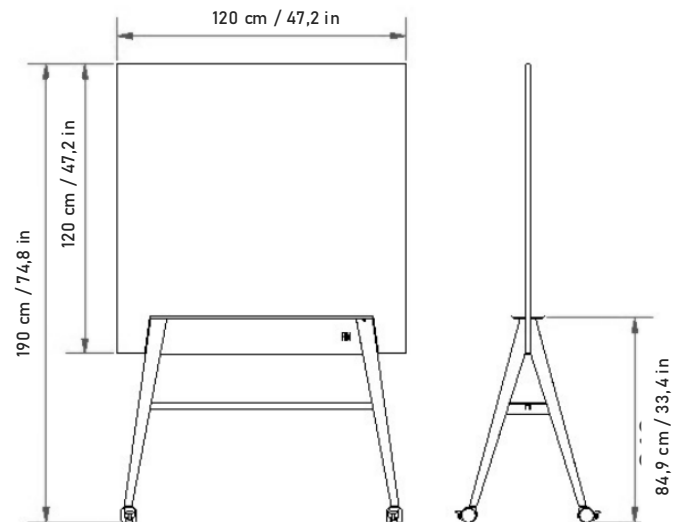
Pizarra: Tablex enchapado con formica pizarra doble cara sin cuadrícula y cubrecanto

Base: Lamina C.R con pintura electrostática

Ruedas: Rodachinas con freno

Whiteboard: Tablex laminated with double-sided Formica whiteboard (plain surface) and edge banding. Base: Cold-rolled steel sheet with electrostatic paint. Wheels: Casters with brake.

## Dimensiones / Dimensions



Cumple normativa BIFMA / complies with BIFMA regulations

Garantía / Warranty: 1 año en estructura, superficie y pintura (no aplica para desgaste normal) 6 mese en componentes como rodachinas o accesorios.

1 year on structure, surface, and paint (does not apply to normal wear and tear)  
6 months on components such as casters or accessories